

AGO55L

PRODUCT GUIDE



Wheel Aligners

Truck 2 Wheel Optical Aligner (Tracking Gauges)

Our Optical/Laser 2 Wheel Alignment Gauges for Truck and Bus probably cost less than the set of tyres shredding away on your Truck right now due to misalignment... They certainly cost less than repeated sets of shredded tyres!

It's an absolute no-brainer. These gauges will save you thousands in tyre and fuel costs. That's a fact. Non arguable. These gauges are not an investment, they are a bank balance upping tool.

They're easy to use, robust, accurate and portable. They are a cheap and useful addition to any Commercial Vehicle repairer or operator.

Fits 16' to 25' wheels and can be used on 3.5 ton 'Vans' and up to 40 ton 'Articulated HGV'.

Comes with:

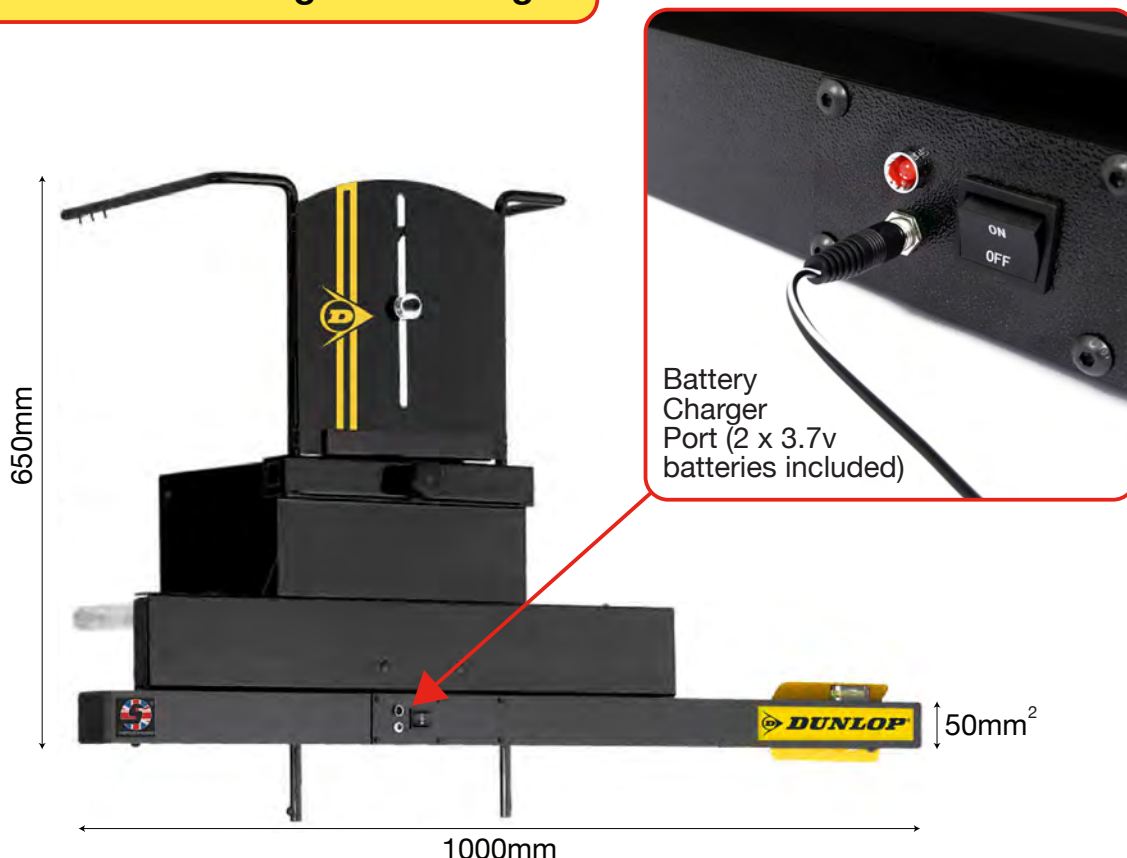
- 2 x Wheel Alignment Gauges
- 2 x Wall Mounted Brackets
- 3 Year Limited Warranty (1 year warranty on accessories)

Accessories Include:

- 2 x Heavy Duty Dished Turnplates
- 1 x Calibration Rig (for self-calibration)

Set-up and installation:

- User manual for step-by-step guide
- Unlimited remote support

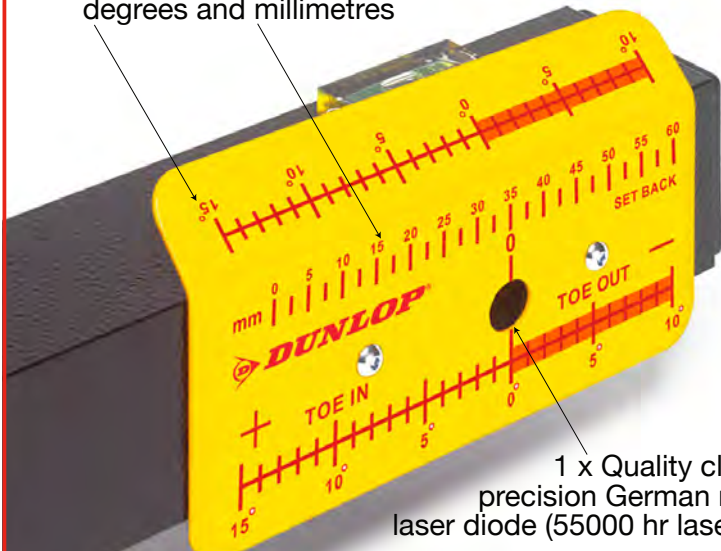
PRODUCT SPECIFICATIONS**2 x Optical/Laser Wheel Alignment Gauges**

Double powder coated gloss Jet Black (RAL 9005) and gloss Zinc Yellow (RAL 1018), the laser tube is hard wearing leatherette textured Jet Black (RAL 9005)



1 x Toe Scales

Precision screen printed measurements in degrees and millimetres

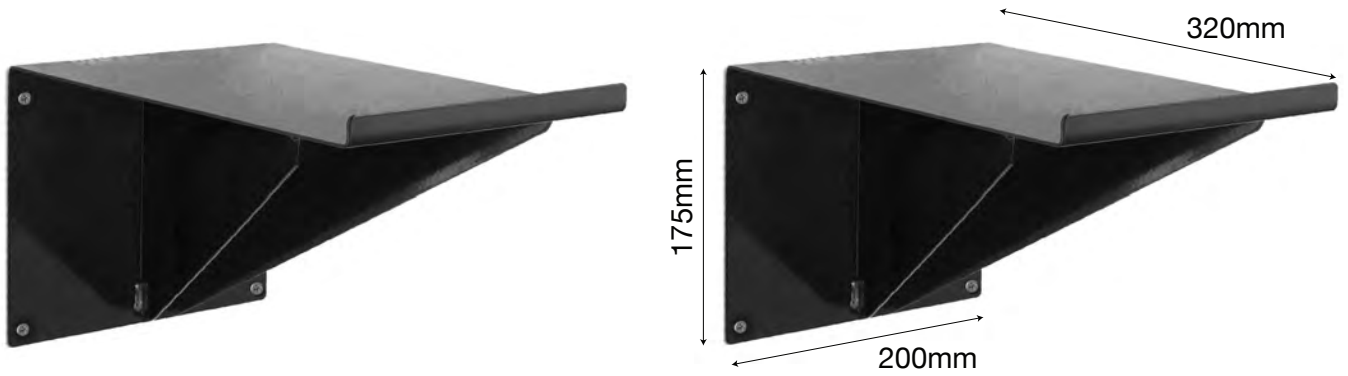


1 x Quality class 2 precision German made laser diode (55000 hr laser life)

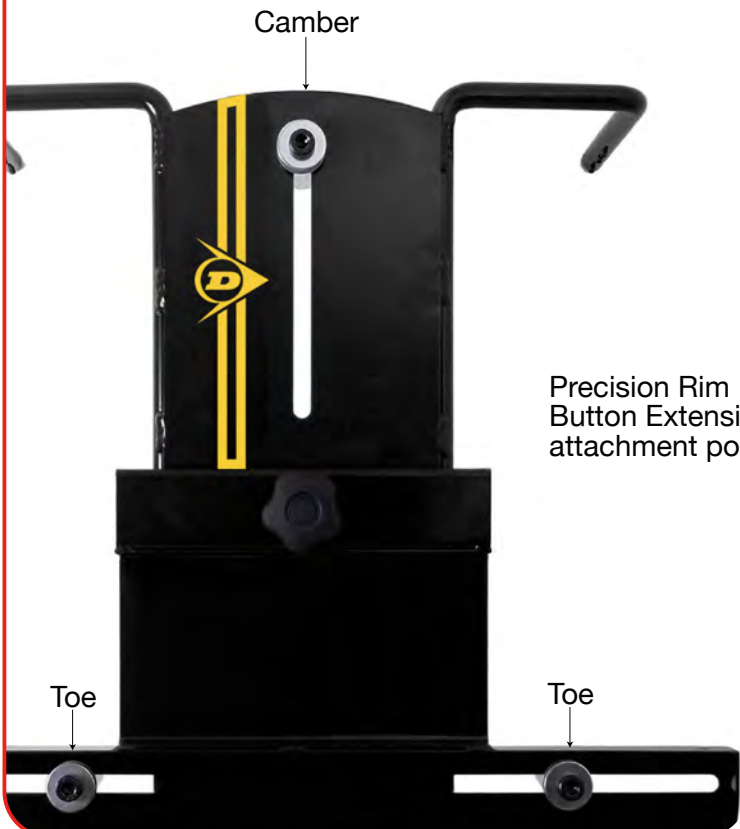
1 x Mirror



2 x Wall Brackets



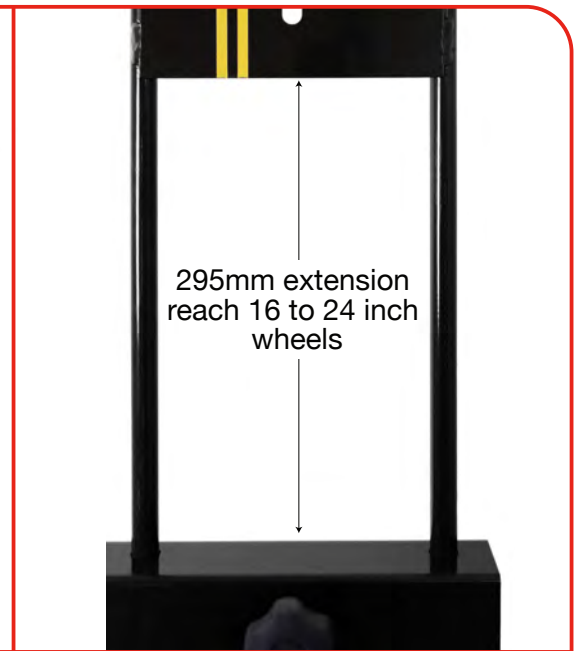
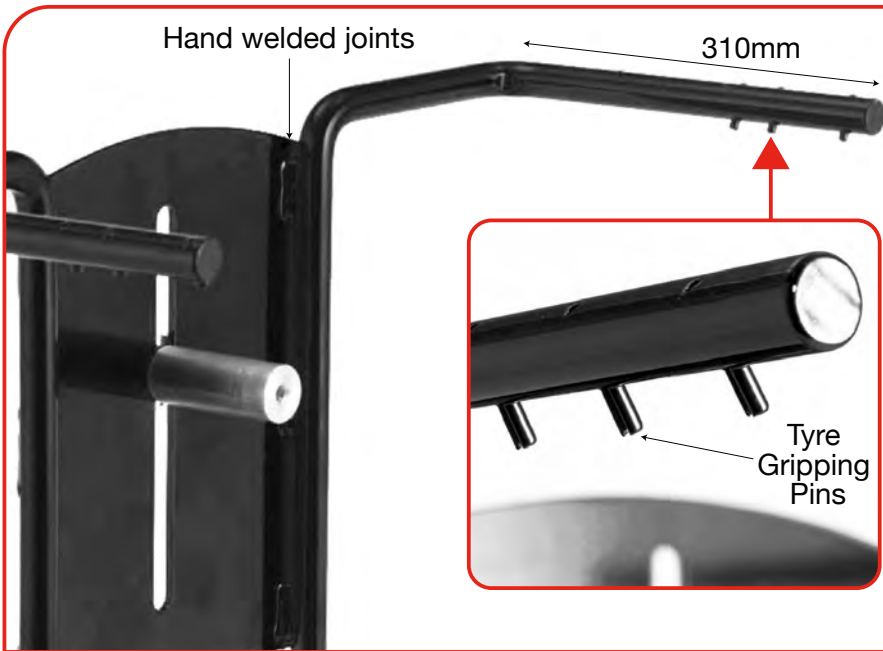
6 x Precision milled spring loaded Rim Buttons



Precision Rim Button Extension attachment point

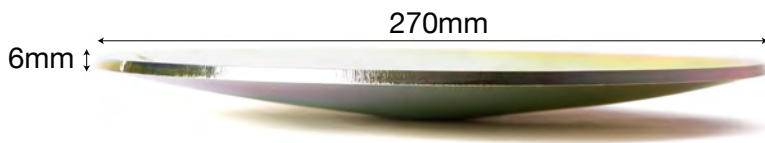


Rim Button Extensions (sold separately)



2 x Truck Dished Turnplates

- Made from 6mm mild steel
- Dished with 200 tonnes of pressure
- Anti rust zinc plating.
- Hand made in Sheffield
- 5.28kg per pair
- 1 year guarantee on keeping dished form



1 x Calibration Rig



Weight: 54kg

