

Date: 230522

Sign. LJE

Scale: 1:50

No. T12431

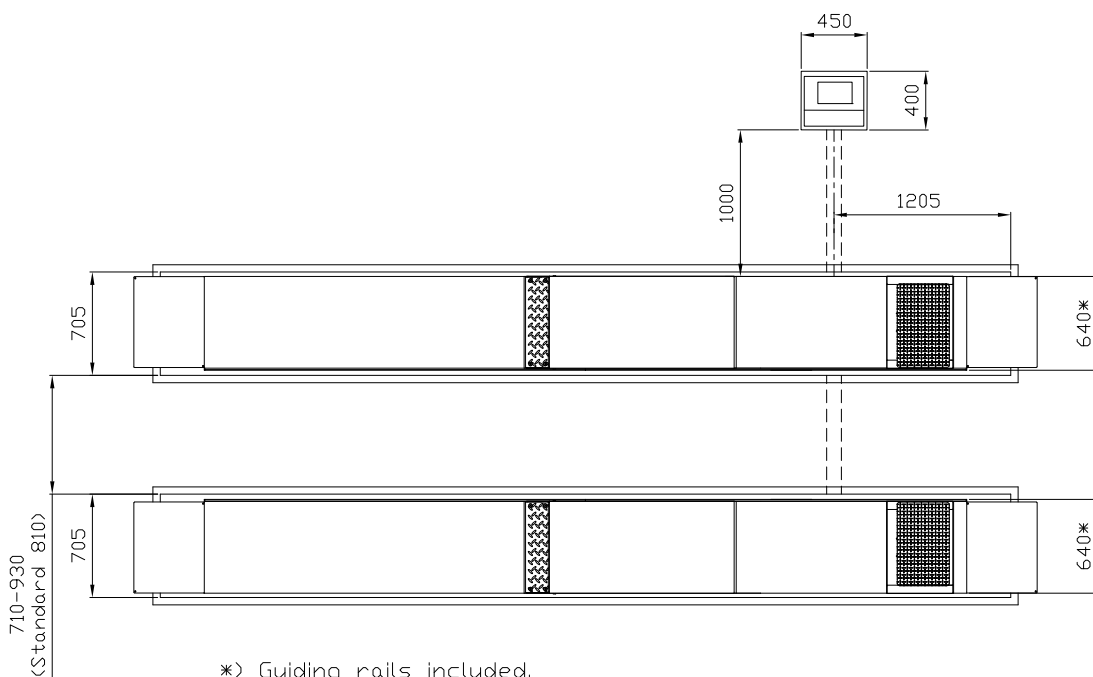
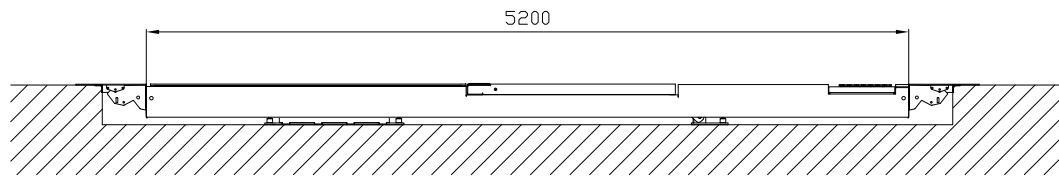
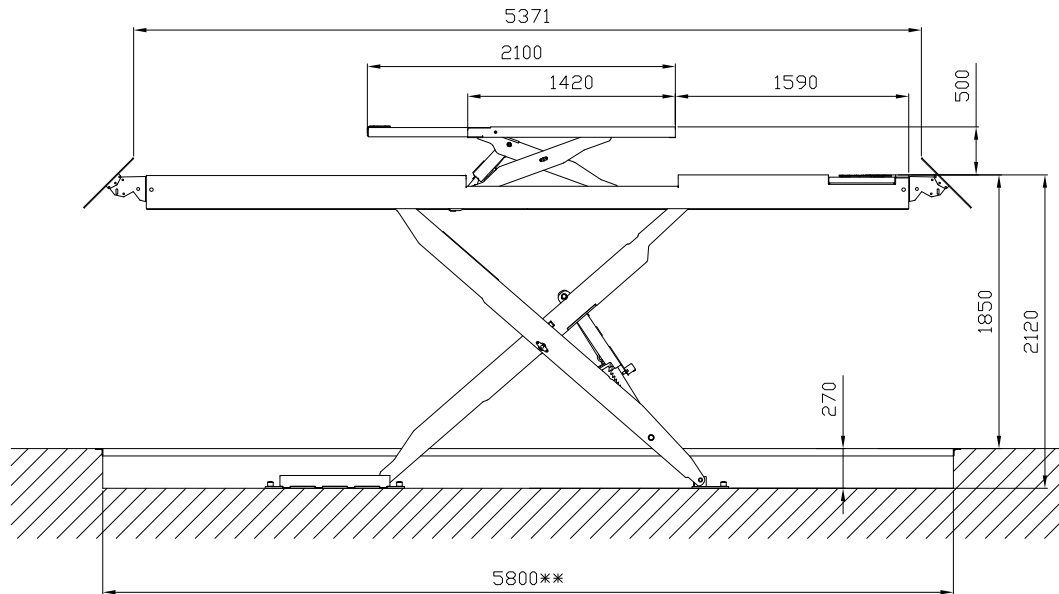
UPLIFTING COMPANY

# AUTOP STENHOJ

MagiX 50-52-C-S-P  
recessed

Rev. date:

Note! Sketch is shown as standard version with 2 x recesses  
- for further options see foundation drawing T82337



\*) Guiding rails included.

\*\*\*) Dimensions for recesses are identical for drive-on and drive-over versions