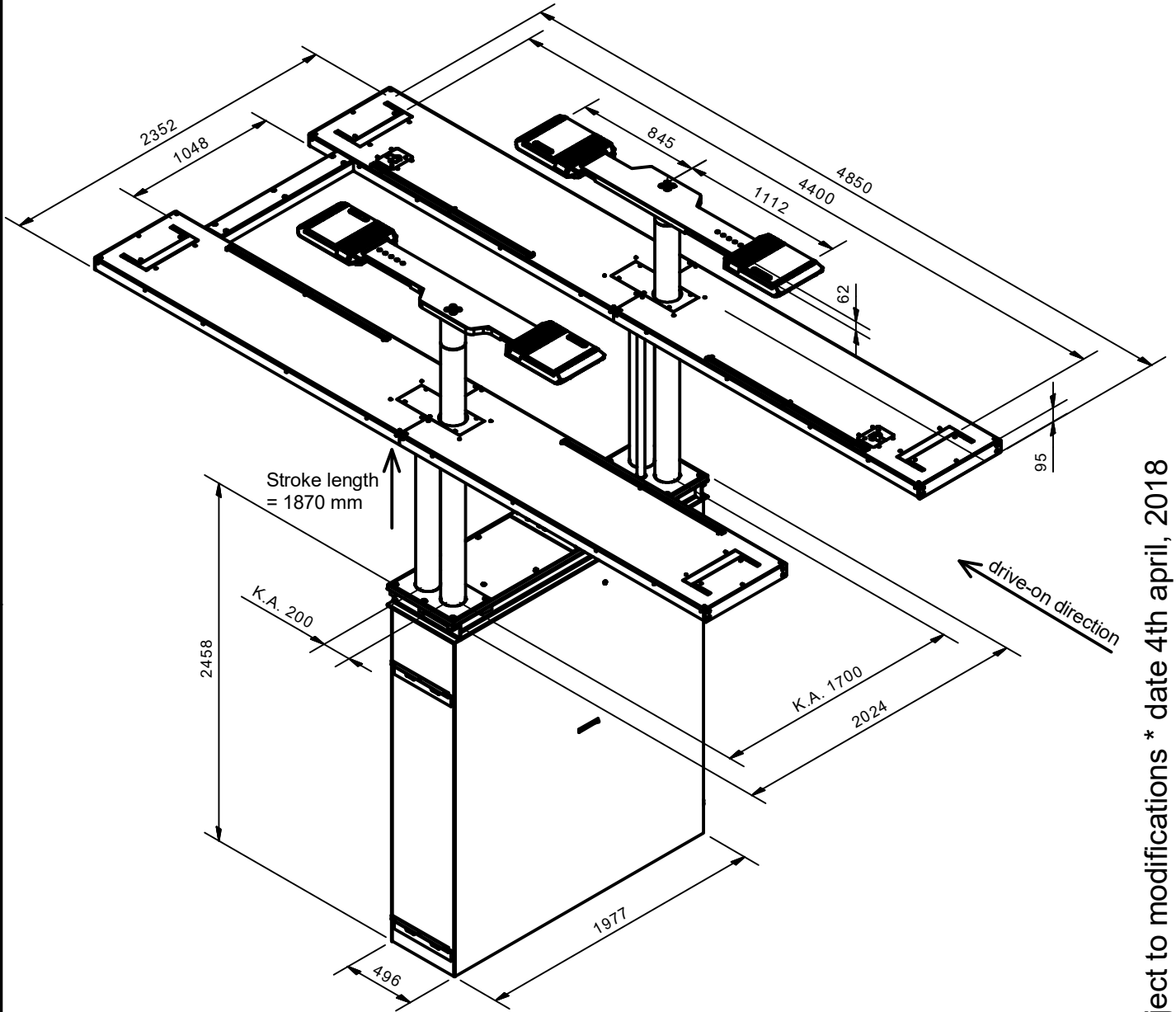


**Masterlift 2.35 Combi Check-in**  
**KA 1700**



Dimension sketch incl. specifications of level for drive-over height.

Constructional changes are subject to modifications \* date 4th april, 2018