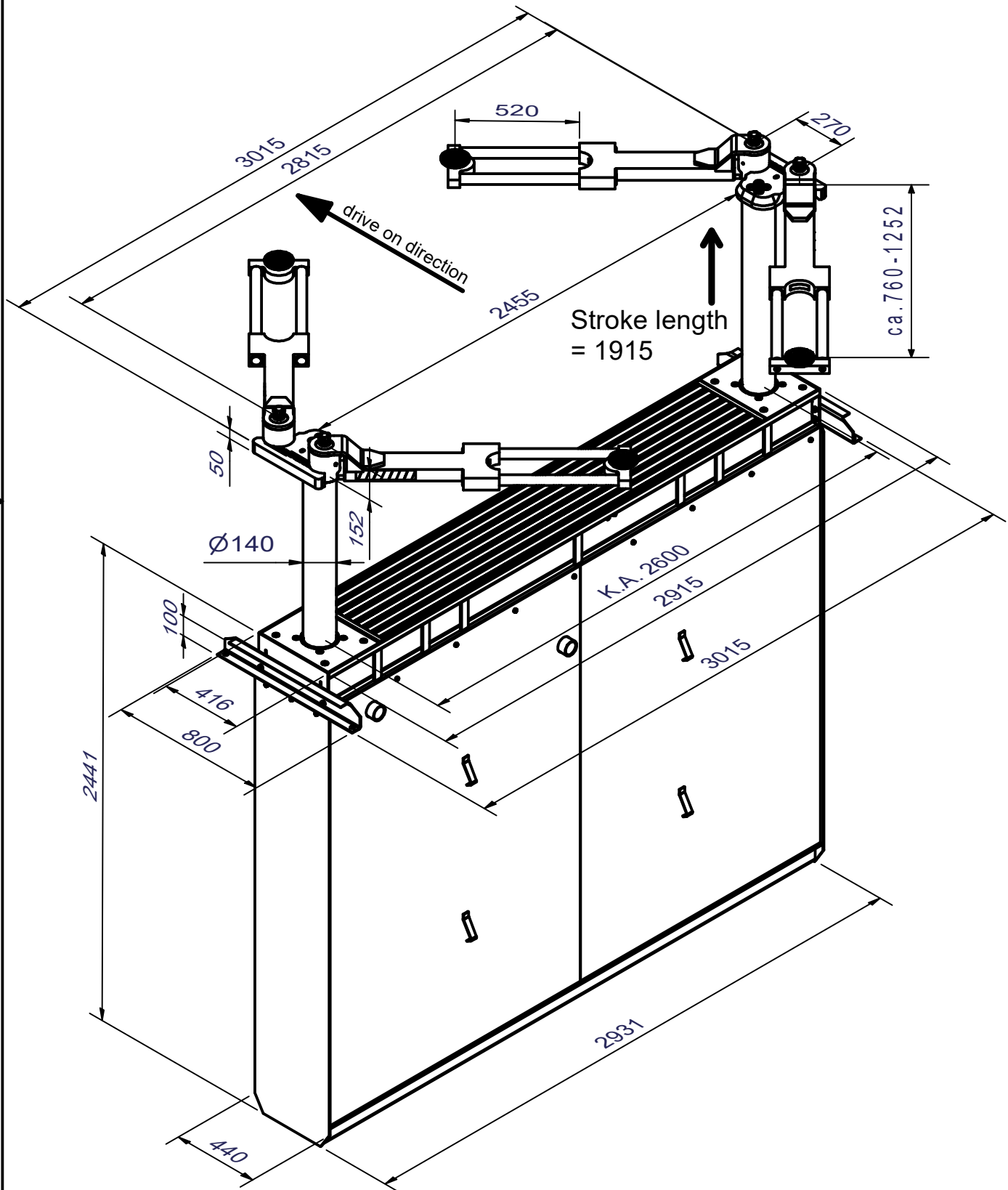


# AUTOP **STENHOJ**

**Masterlift 2.30 NxT Sa 260**

**Supersport**

**Art.-Nr. 14046**



Dimensional sketch including drive-over heights