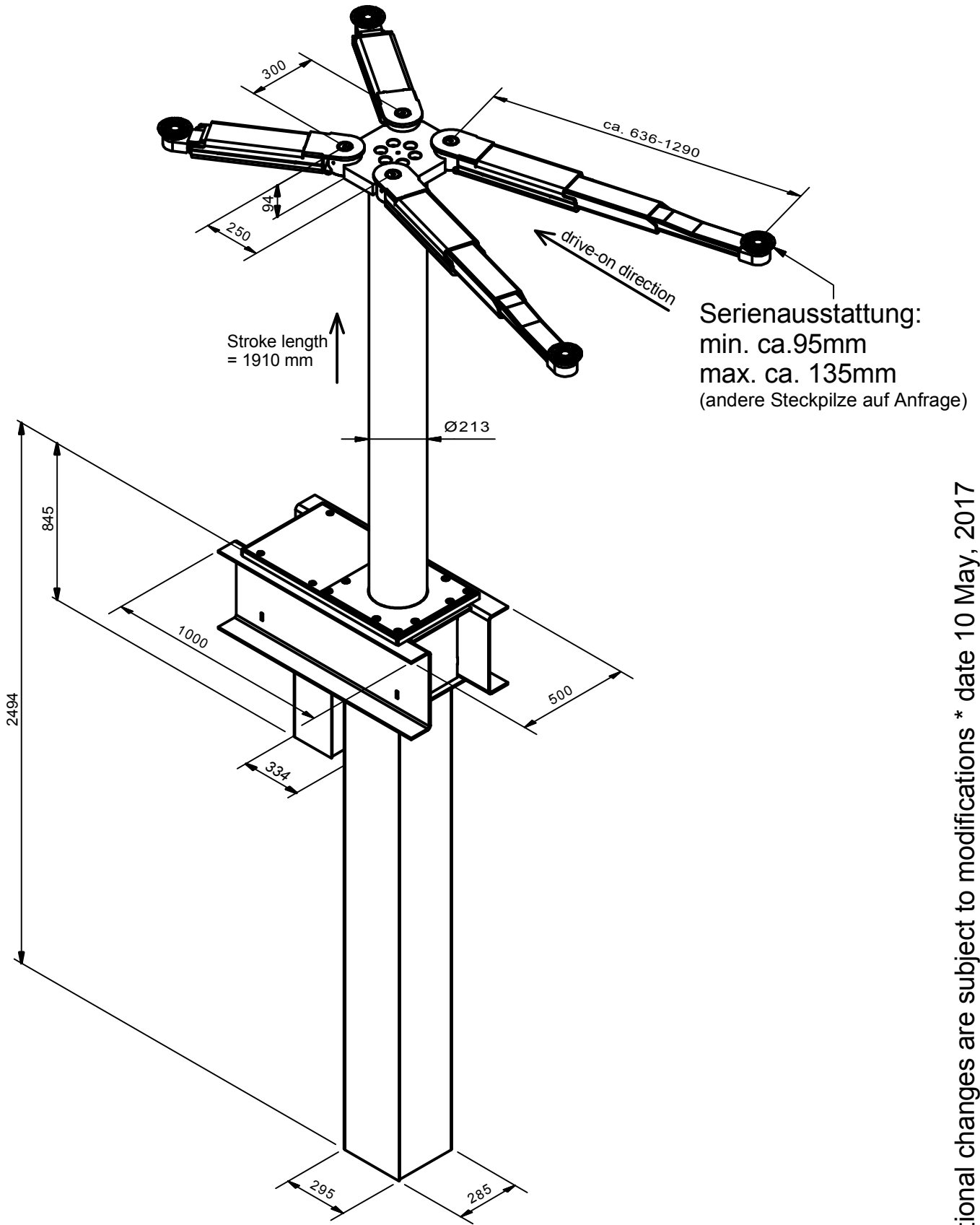


Sololift 1.35 Saa (Zyl.Ø213)



Dimension sketch incl. specifications of level for drive-over height.

Constructional changes are subject to modifications * date 10 May, 2017