

Date: 171220

Sign. LJE

Scale: 1:50

No. T12370

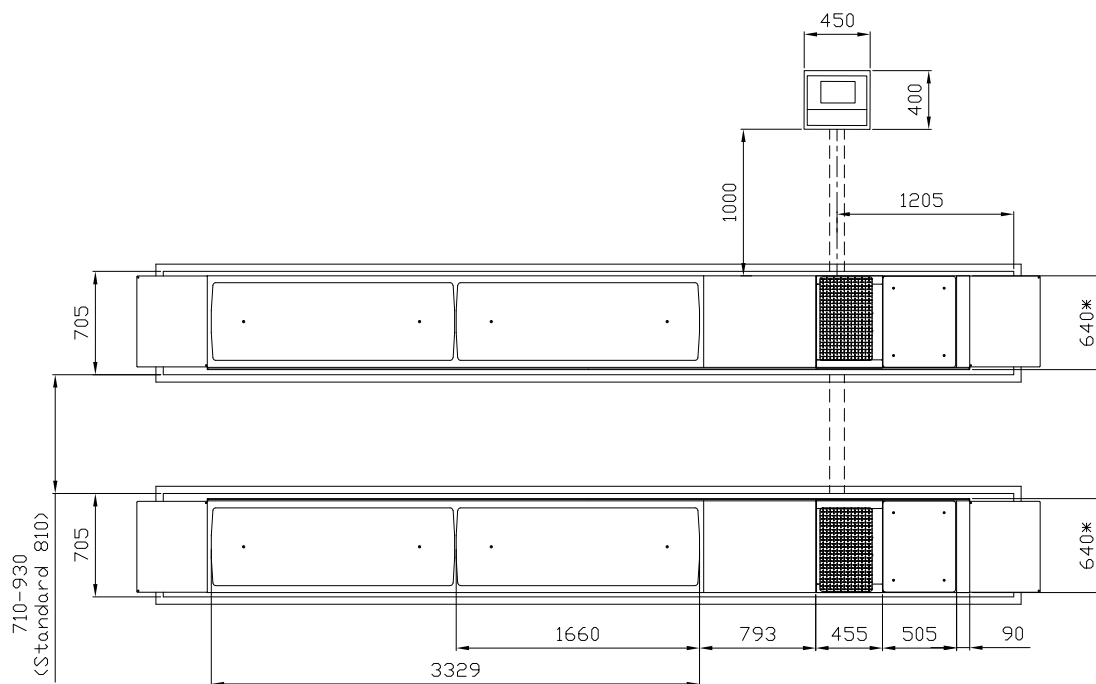
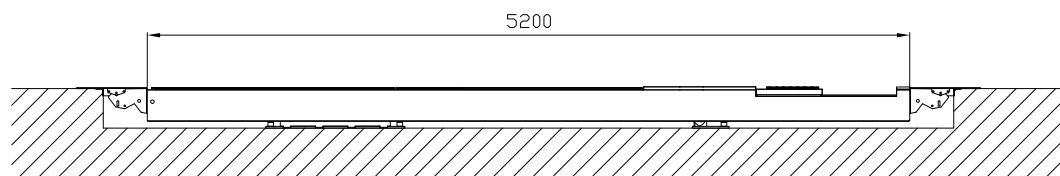
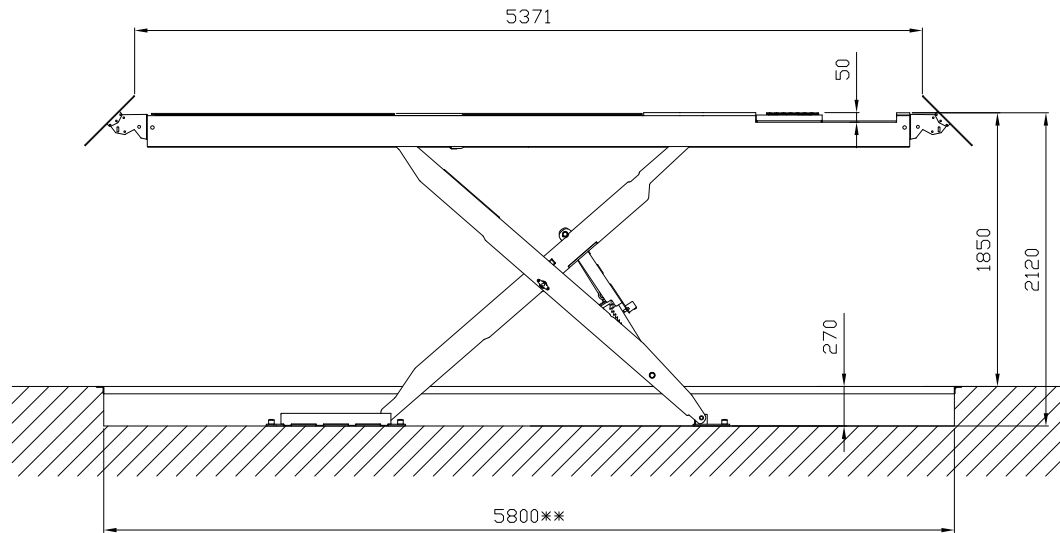
UPLIFTING COMPANY

AUTOP STENHOJ

MagiX 50-52-WL-P
recessed

Rev. date:

Note! Sketch is shown as standard version with 2 x recesses
- for further options see foundation drawing T82336



*) Guiding rails included.

***) Dimensions for recesses are identical for drive-on and drive-over versions