

Date: 171220

Sign. LJE

Scale: 1:50

No. T12371

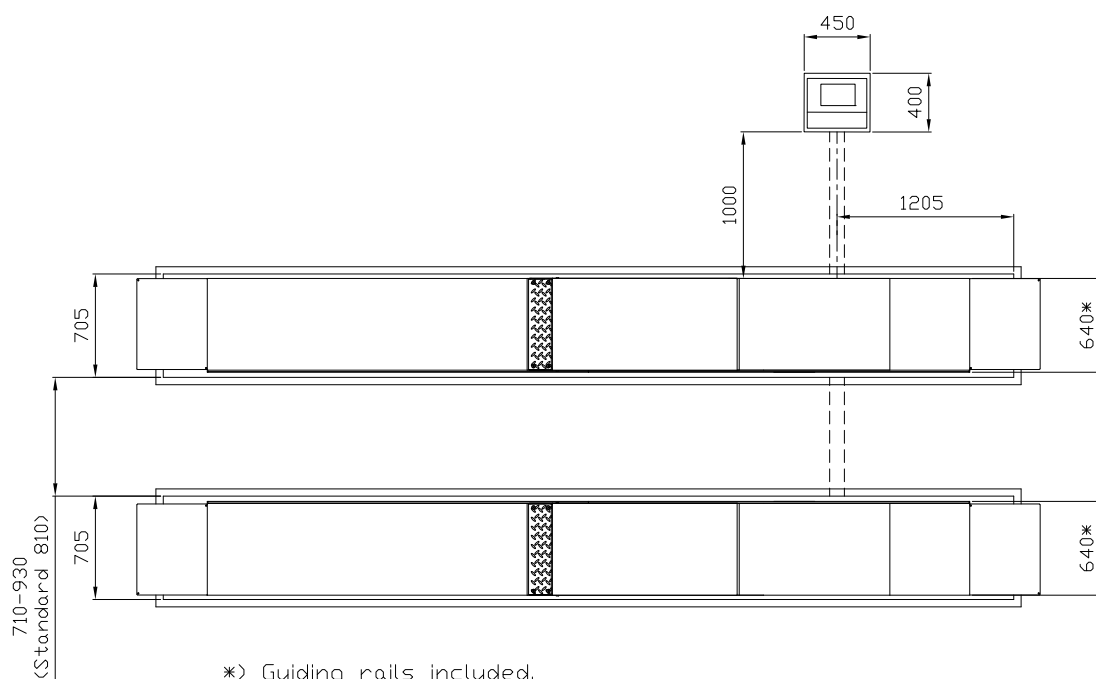
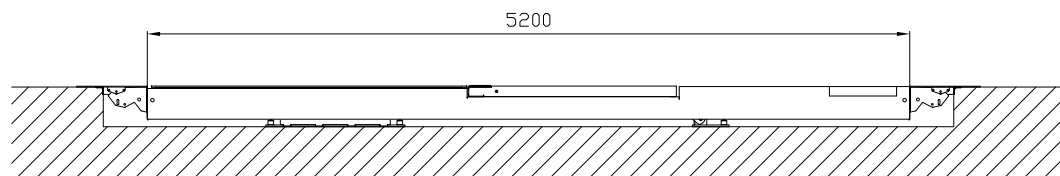
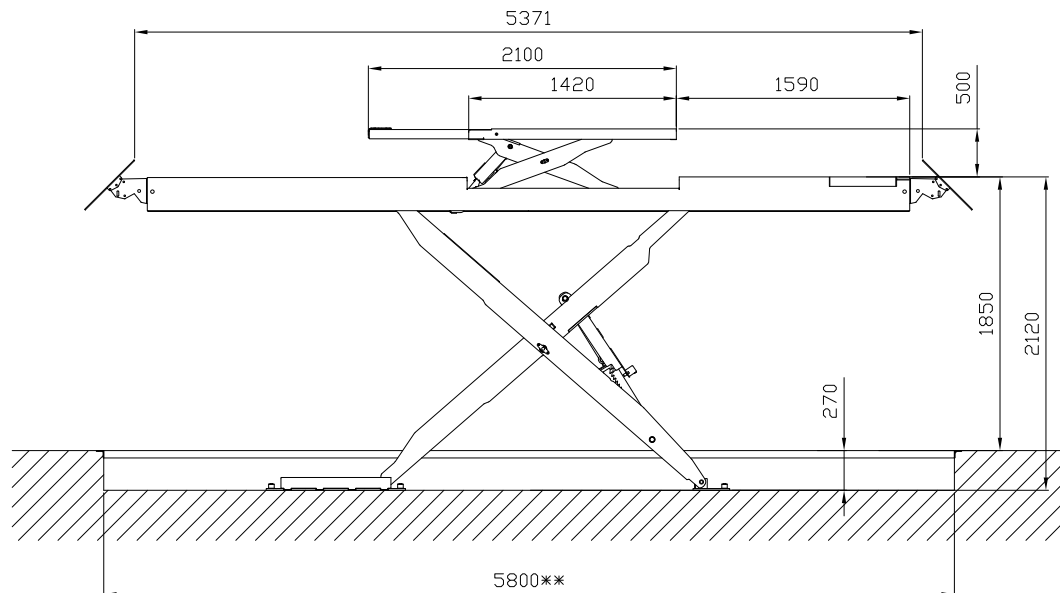
UPLIFTING COMPANY

AUTOP STENHOJ

MagiX 50-52-C-S
recessed

Rev. date:

Note! Sketch is shown as standard version with 2 x recesses
- for further options see foundation drawing T82336



710-930
(Standard 810)

*) Guiding rails included.

***) Dimensions for recesses are identical for drive-on and drive-over versions