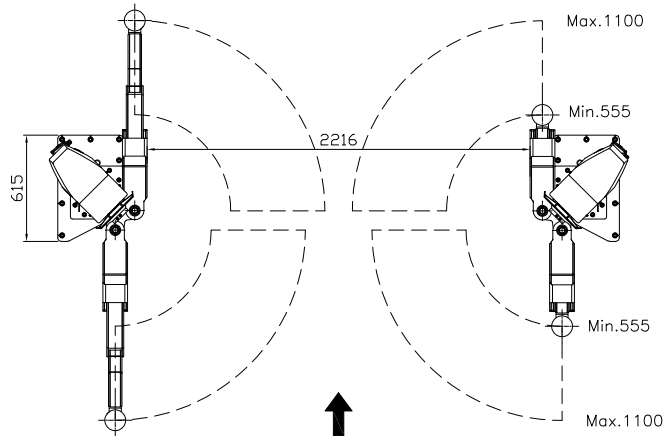
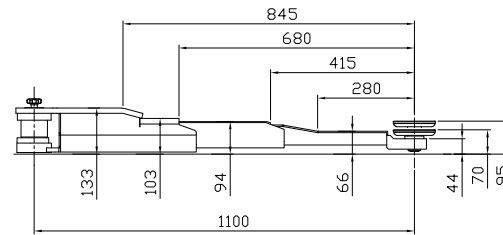
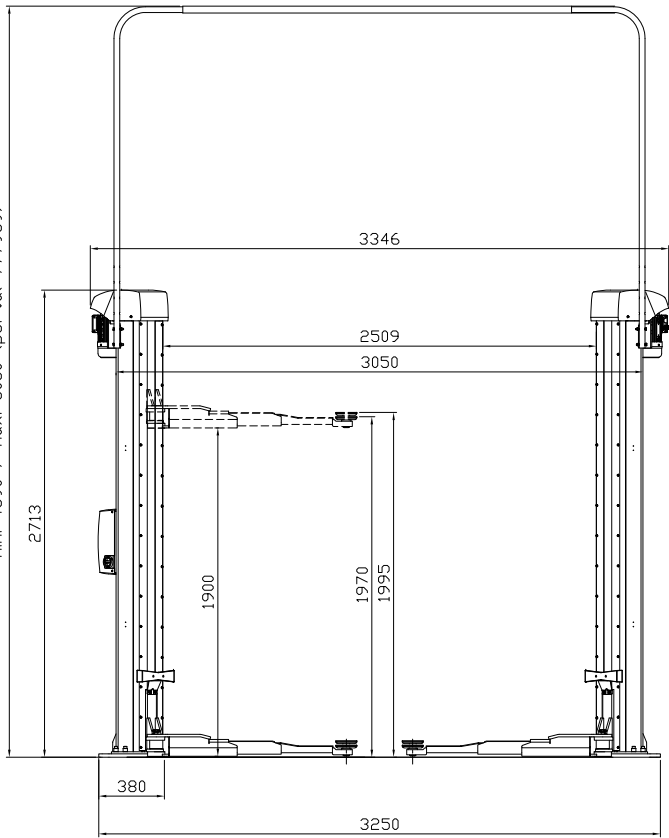


Min. 3990 / max. 4350 (portal 777958)
 Min. 4690 / max. 5050 (portal 777959)



Date: 180121

Sign. LJE

Scale: 1:35

No. T12374

UPLIFTING COMPANY
AUTOPSTENHOJ

Maestro 2.35 F
 Premium (P)
 DT/DT
 Rev. date: 210521